



www.Sindesigner.com

Supervisor Signature

Designer Signature

Mechanical Designer Signature

Electrical Designer Signature

Contractor

Sheet Name

Project Name

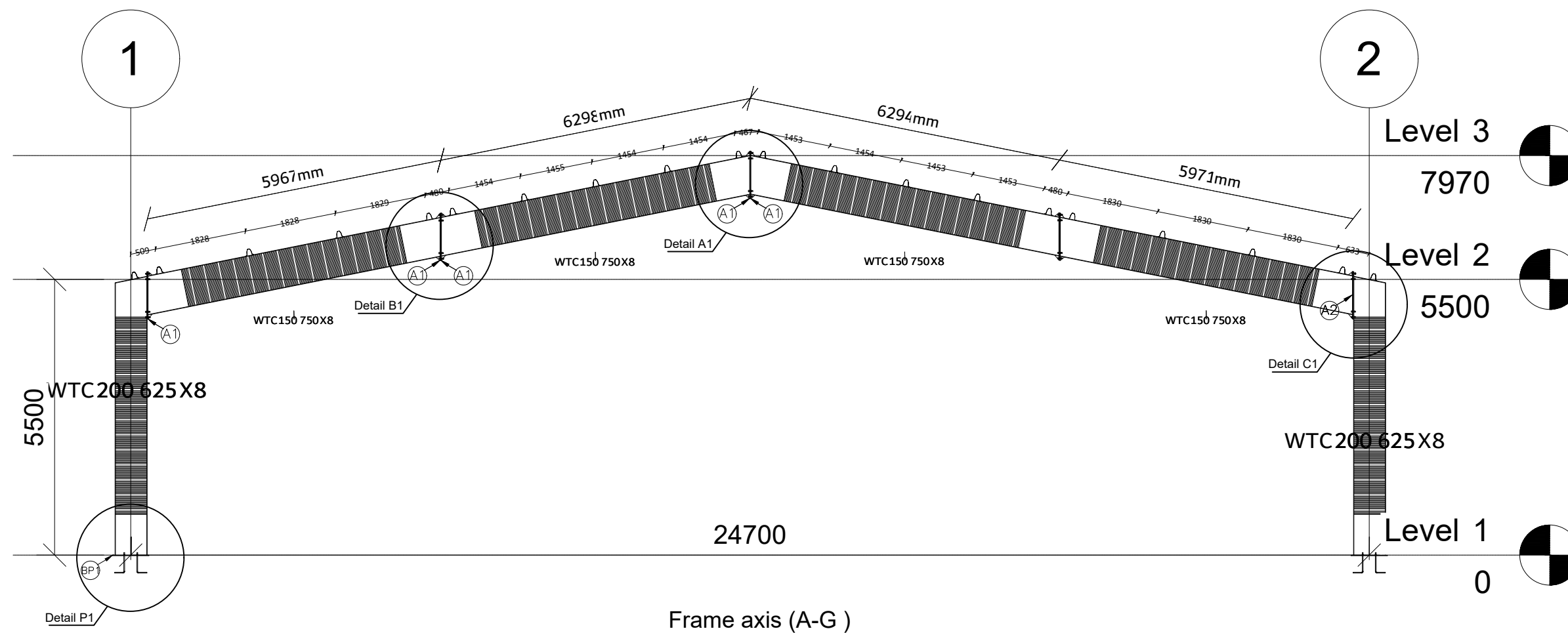
Project Location

Designed by

Sin Designer

Date | 02/15/25

Sheet No. | **001**



Supervisor Signature

Designer Signature

Mechanical Designer Signature

Electrical Designer Signature

Contractor

Owner

Sheet Name

Frame View

Project Name

Project Location

Designed by

Sin Designer

Date | 02/15/25

Sheet No. | **001**

Supervisor Signature

Designer Signature

Mechanical Designer Signature

Electrical Designer Signature

Contractor

Owner

Sheet Name

Foundation Plan

Project Name

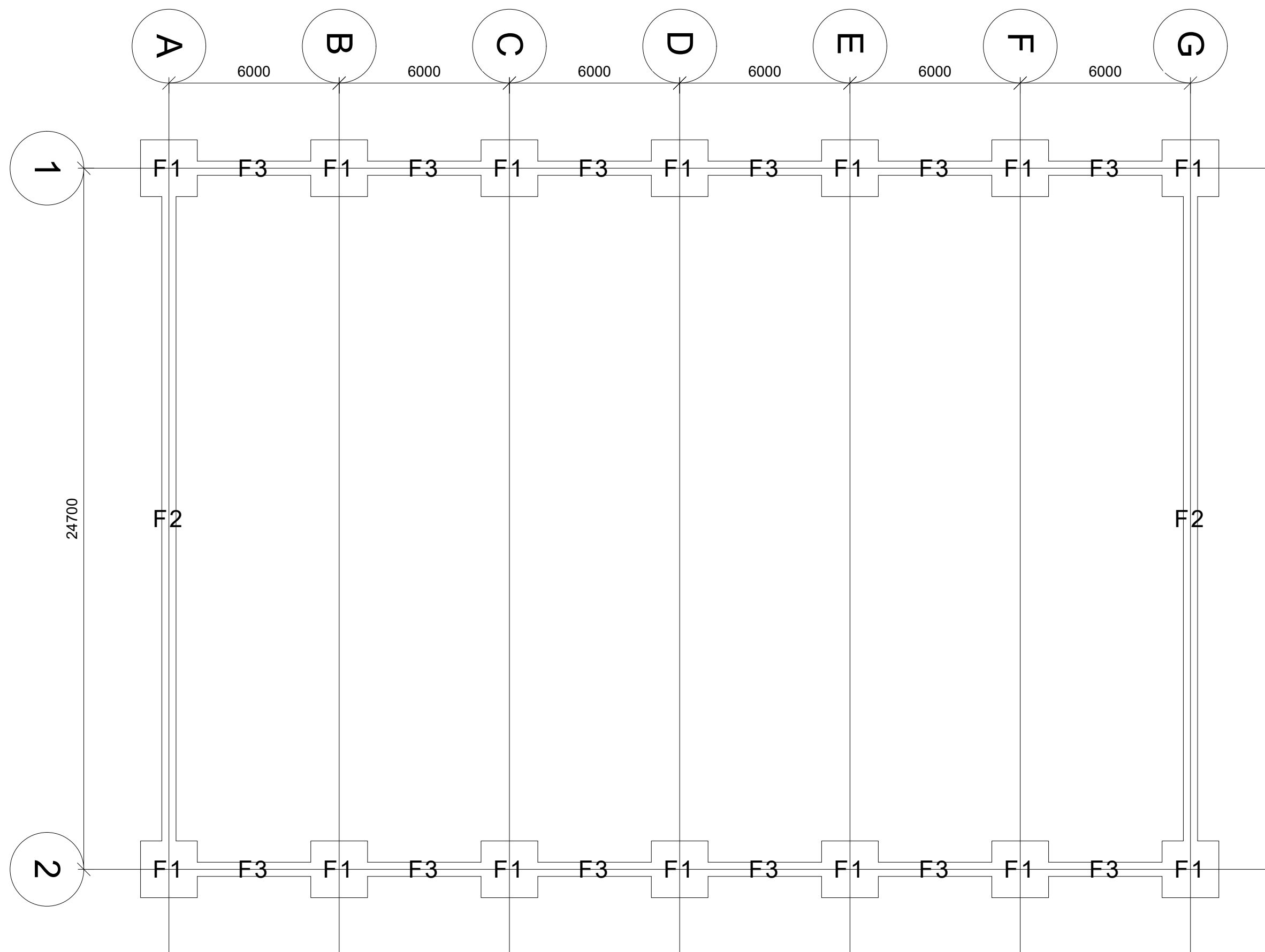
Project Location

Designed by

Sin Designer

Date 02/15/25

Sheet No.



1 :200

Foundation Plan

1

Supervisor Signature

Designer Signature

Mechanical Designer Signature

Electrical Designer Signature

Contractor

Owner

Sheet Name

BasePlate Plan

Project Name

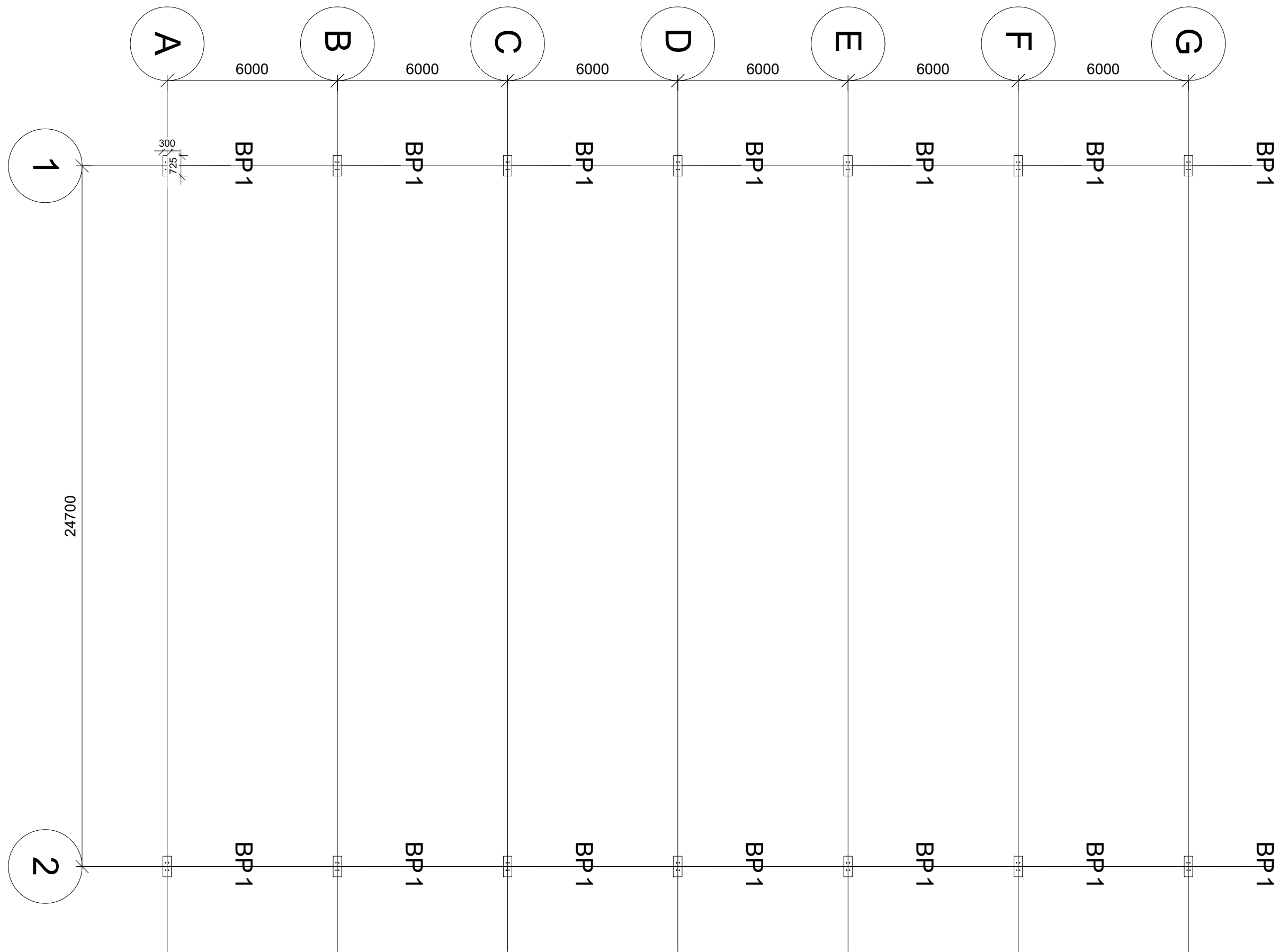
Project Location

Designed by

Sin Designer

Date | 02/15/25

Sheet No. | **002**



Supervisor Signature

Designer Signature

Mechanical Designer Signature

Electrical Designer Signature

Contractor

Sheet Name

East Brace View

Project Name

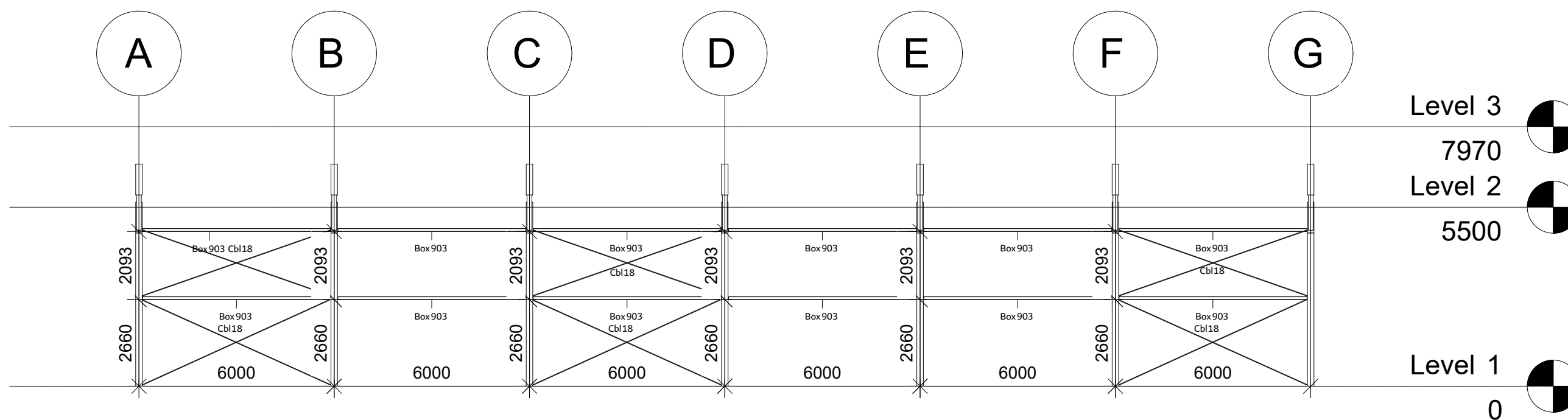
Project Location

Designed by

Sin Designer

Date

Sheet No.



1

East Brace View

1 :200

Supervisor Signature

Designer Signature

Mechanical Designer Signature

Electrical Designer Signature

Contractor

Sheet Name

Brace Plan

Project Name

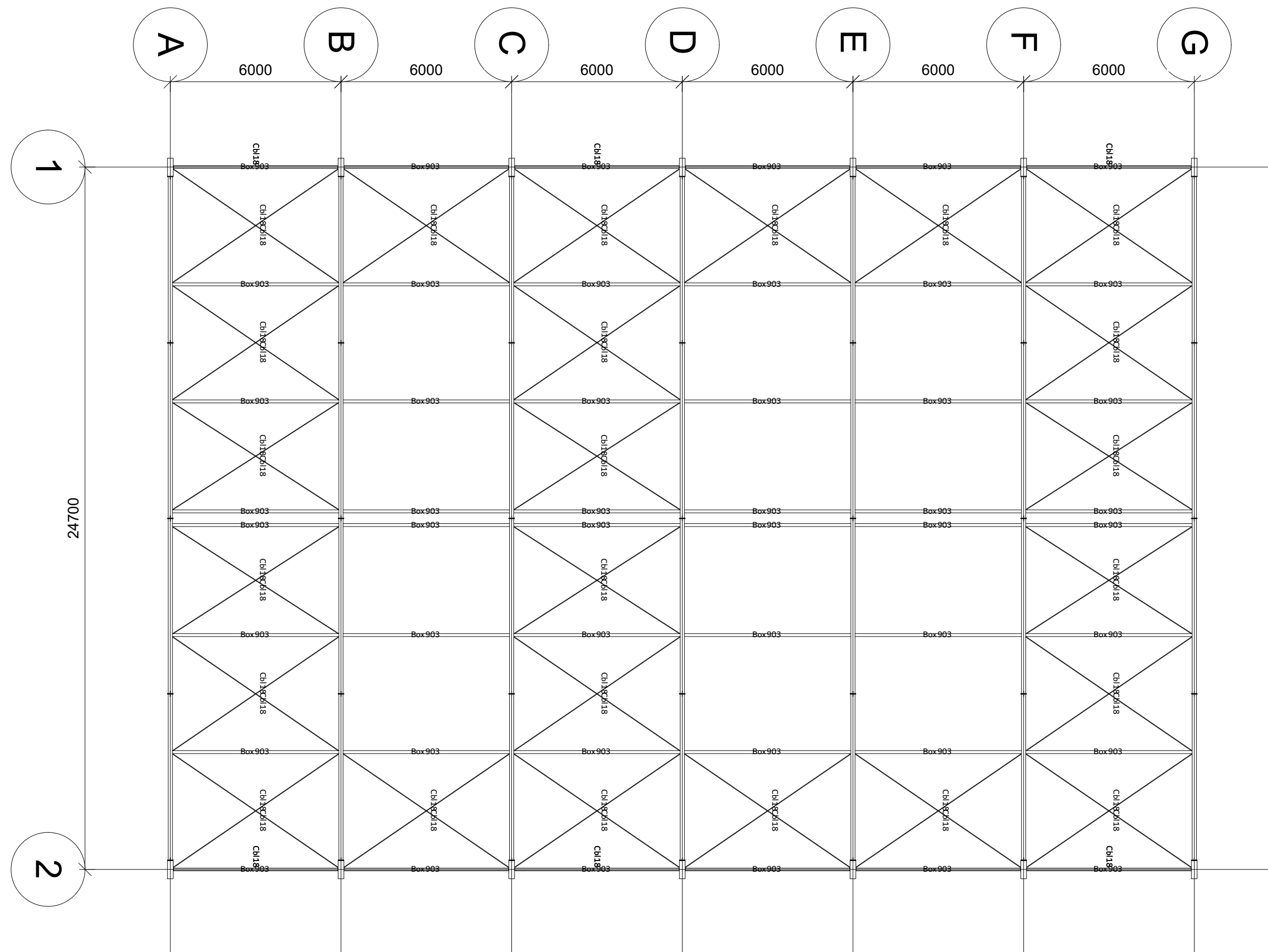
Project Location

Designed by

Sin Designer

Date

Sheet No.



1 :200
Roof Plan

1

Supervisor Signature

Designer Signature

Mechanical Designer Signature

Electrical Designer Signature

Contractor

Sheet Name

Project Name

Detail C 1

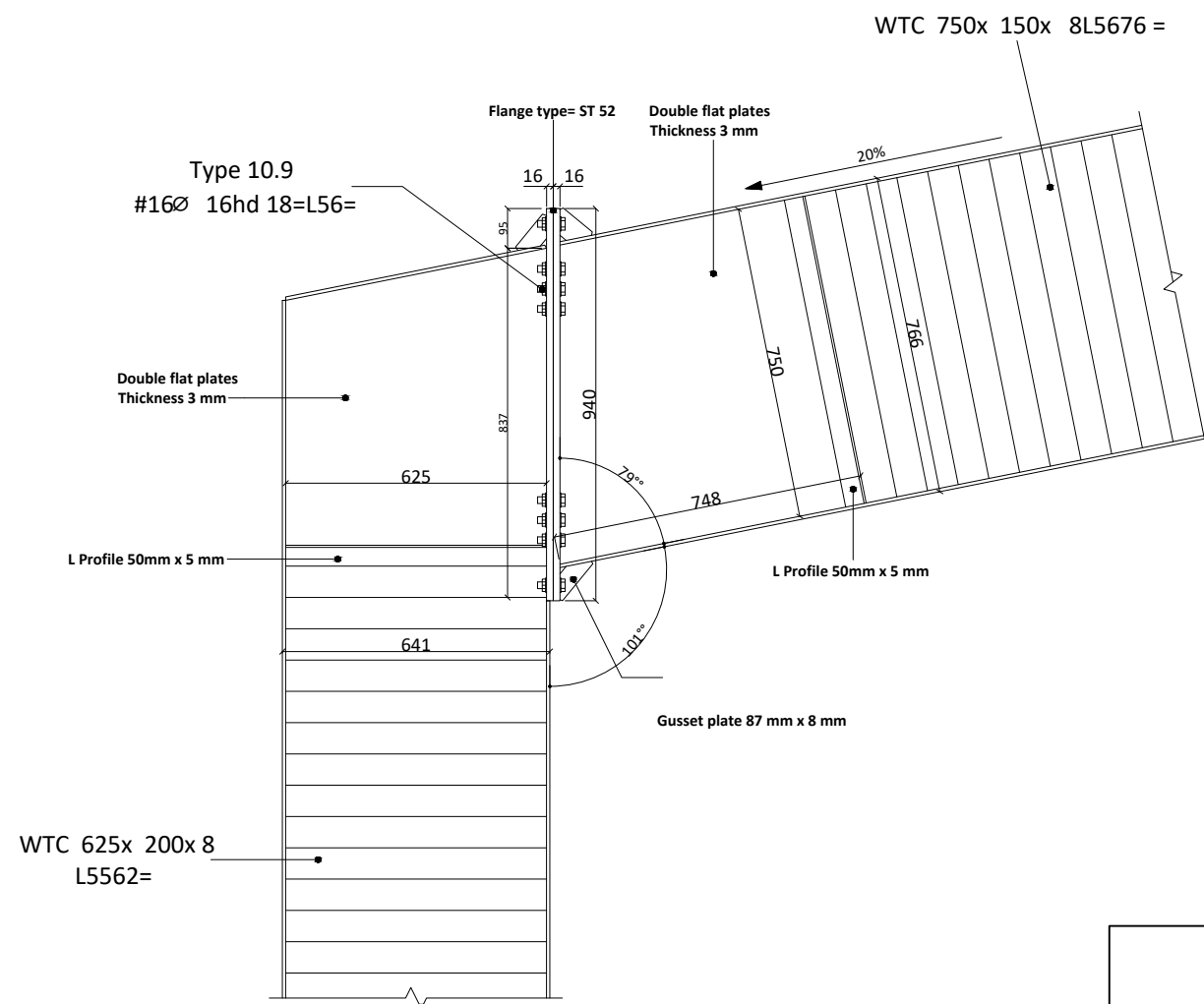
Project Location

Designed by

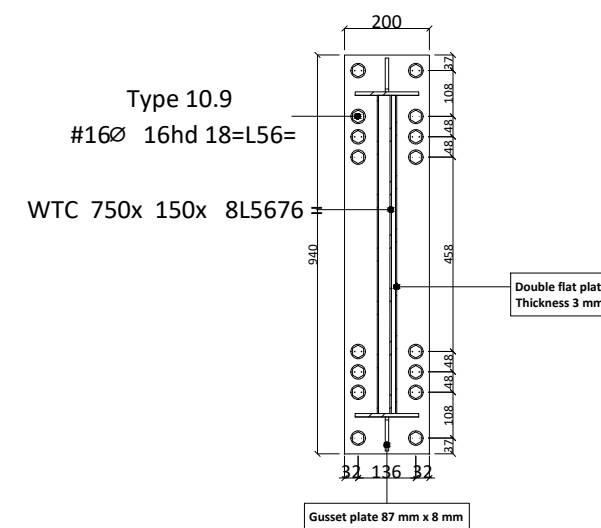
Sin Designer

Date

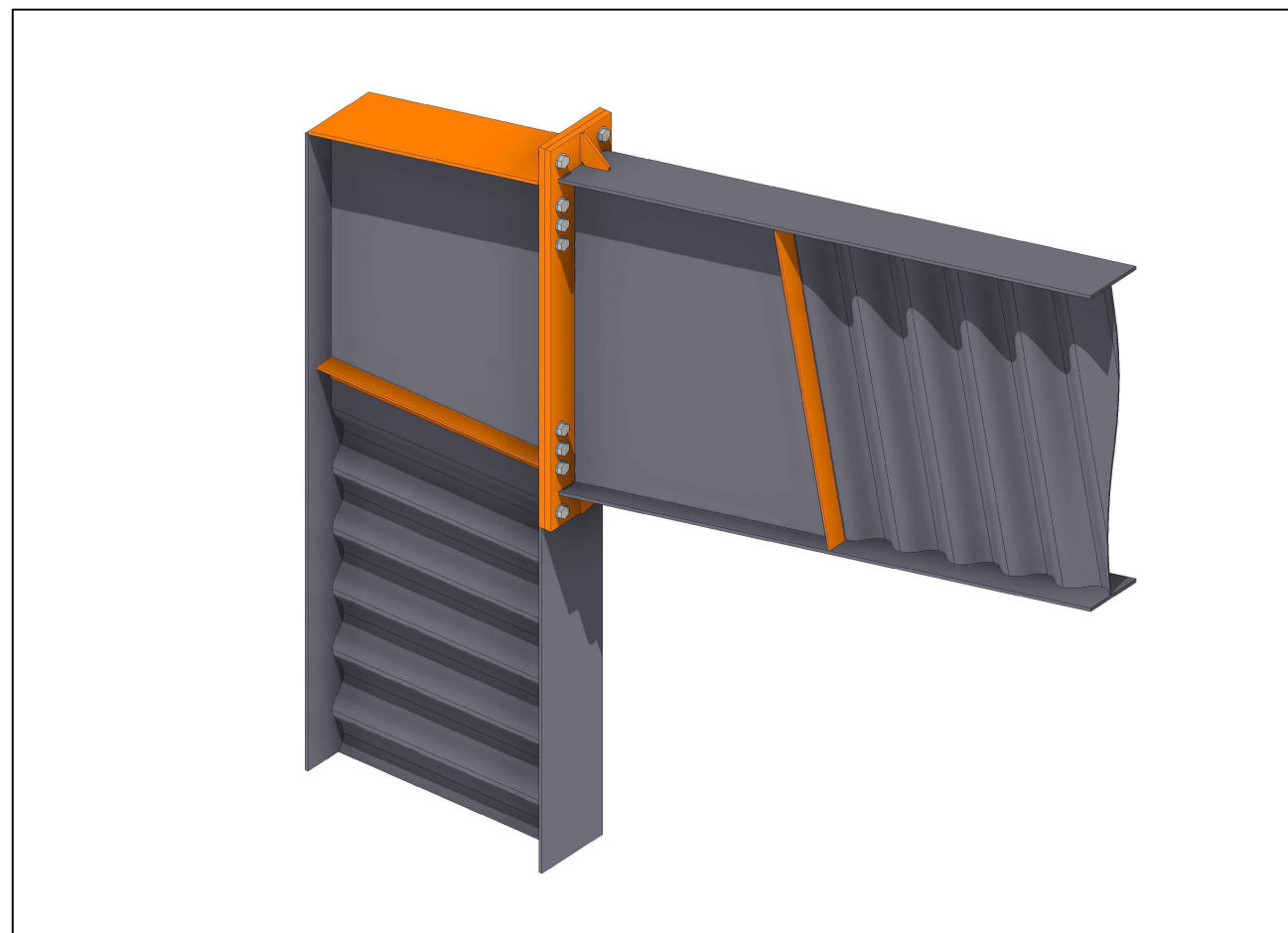
Sheet No.



Detail C 1
(Front view)



Connection A1



Supervisor Signature

Designer Signature

Mechanical Designer Signature

Electrical Designer Signature

Contractor

Sheet Name

Detail A 1

Project Name

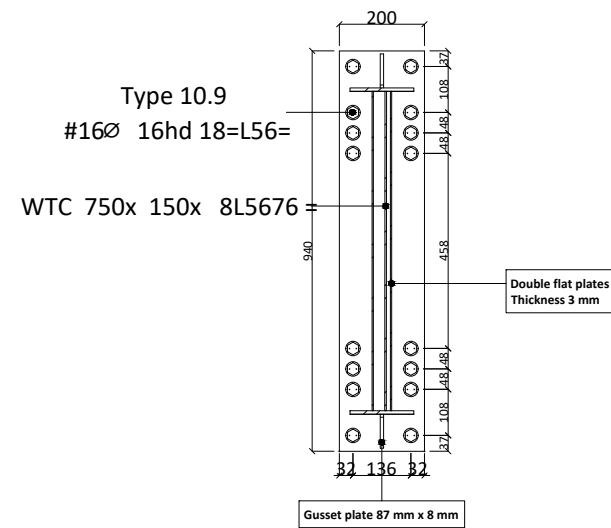
Project Location

Designed by

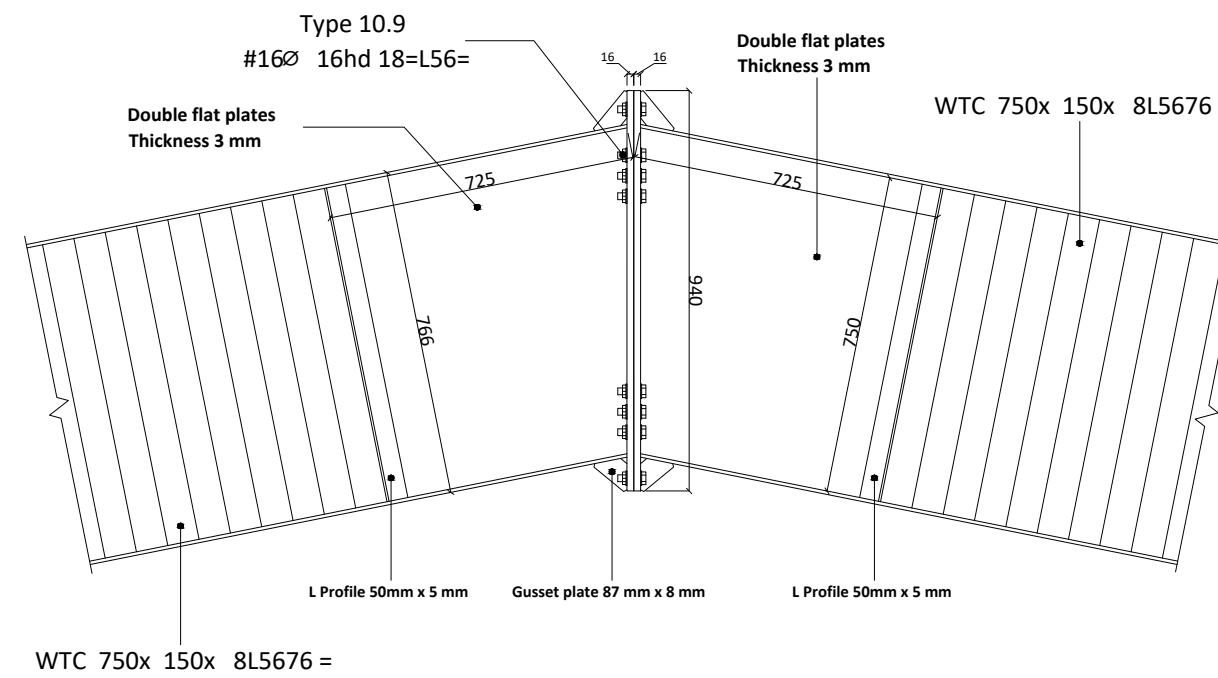
Sin Designer

Date

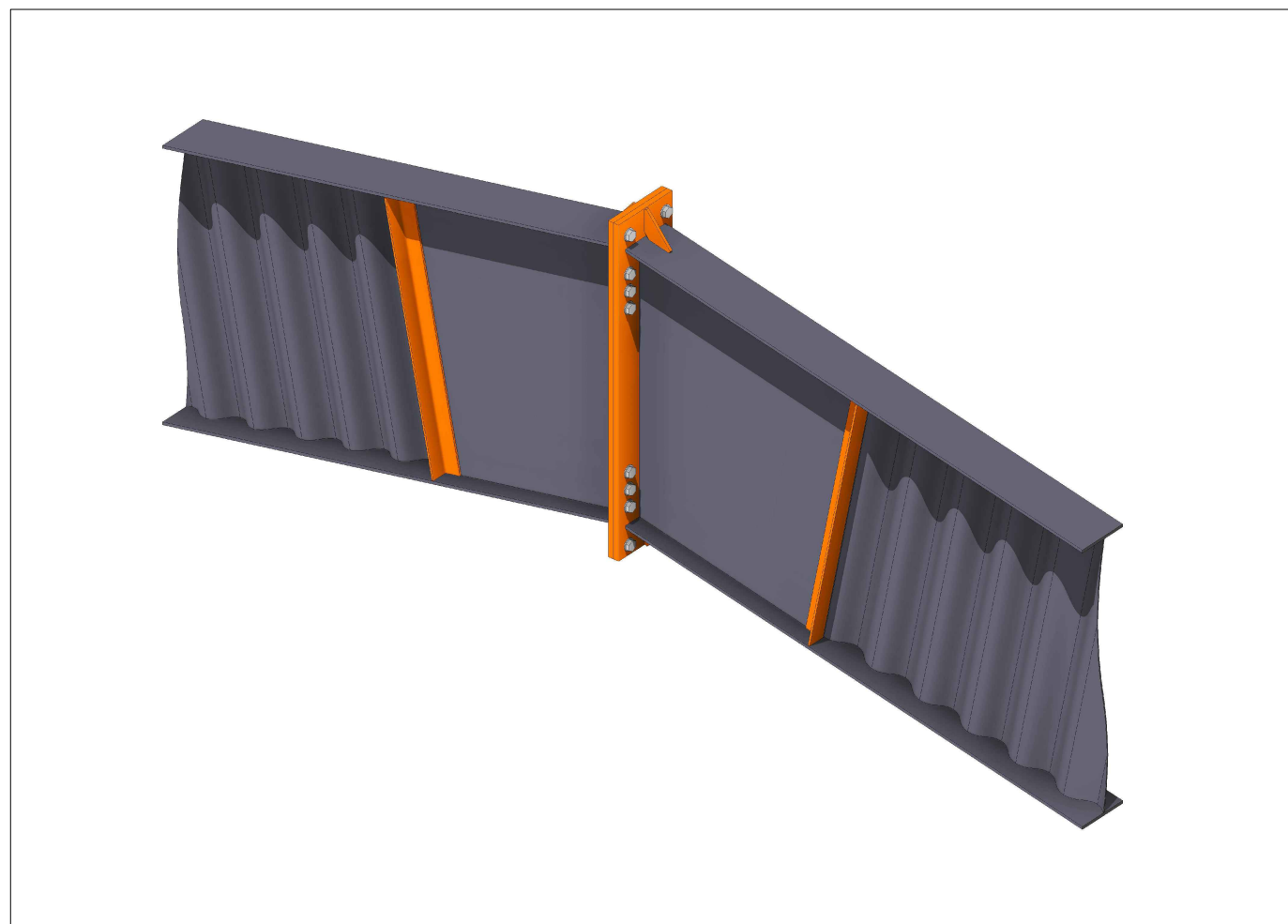
Sheet No.



Connection A1



**Detail A 1
(Front view)**



Supervisor Signature

Designer Signature

Mechanical Designer Signature

Electrical Designer Signature

Contractor

Sheet Name

Project Name

Detail B 1

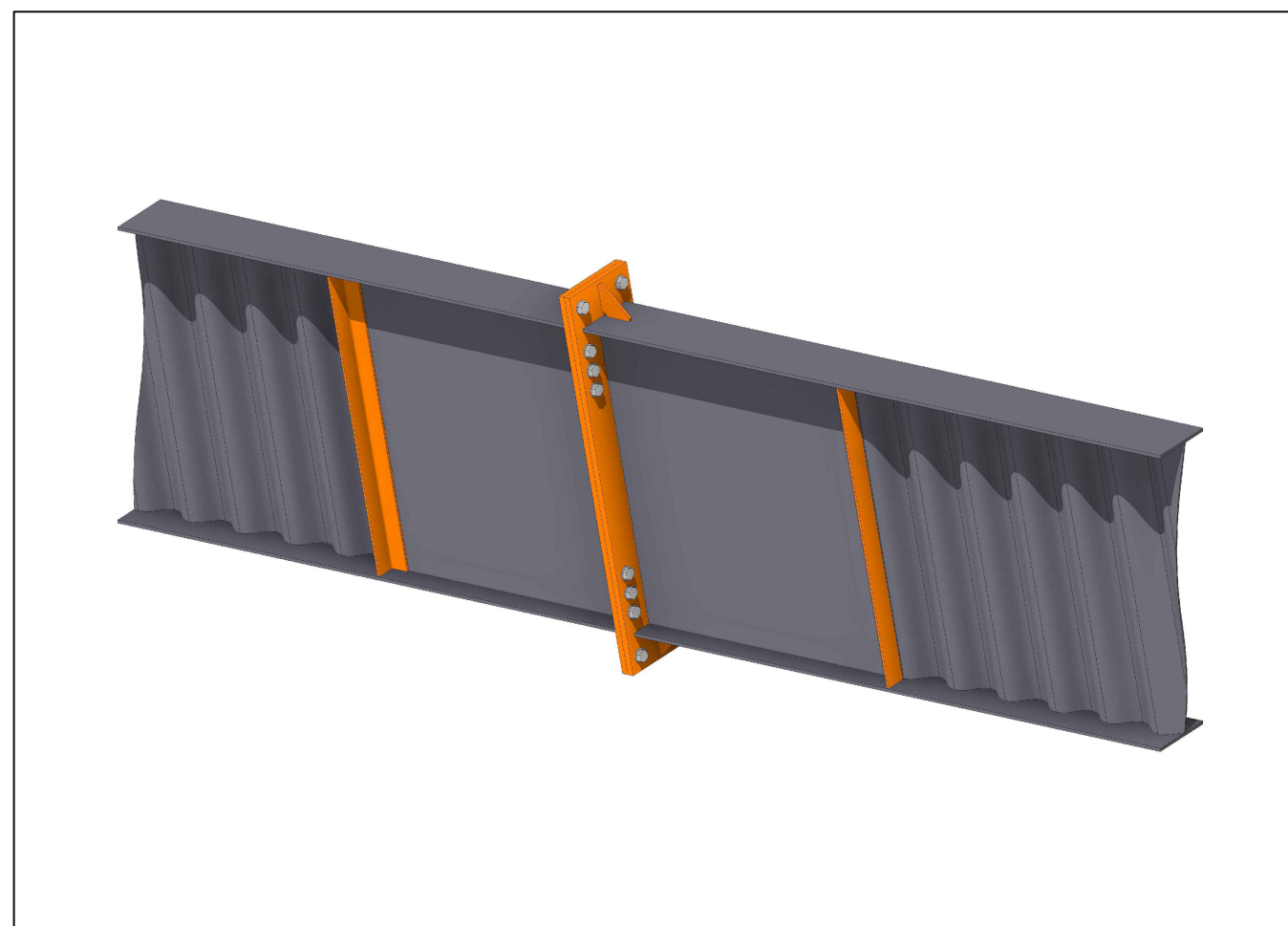
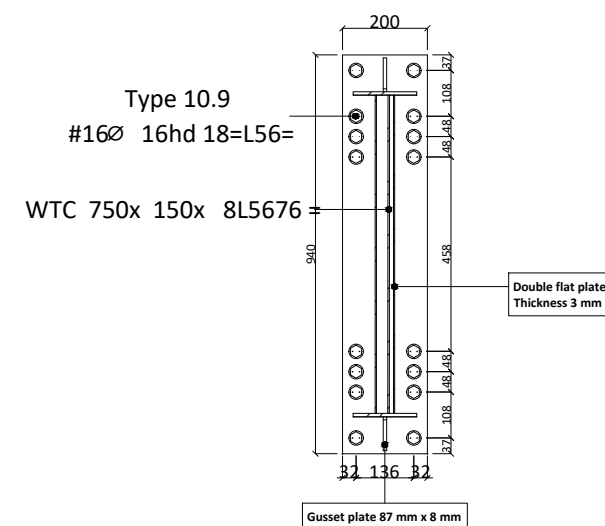
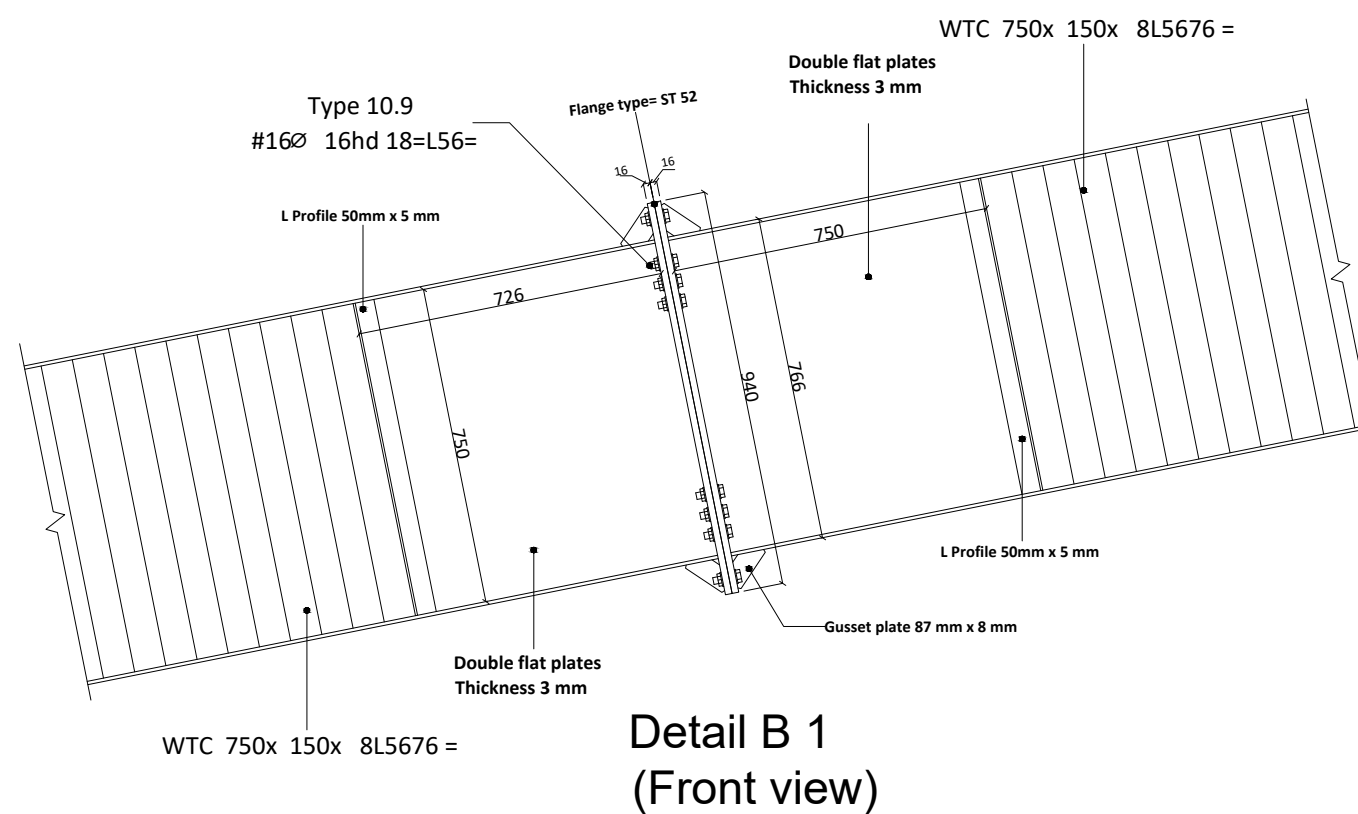
Project Location

Designed by

Sin Designer

Date

Sheet No.



Supervisor Signature

Designer Signature

Mechanical Designer Signature

Electrical Designer Signature

Contractor

Sheet Name

Project Name

Detail P 1

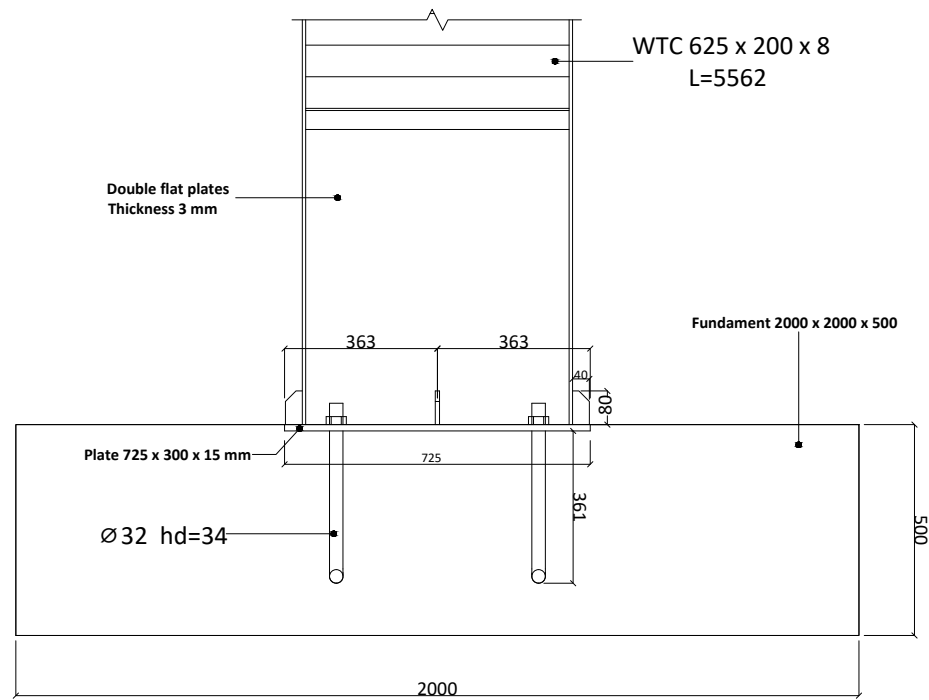
Project Location

Designed by

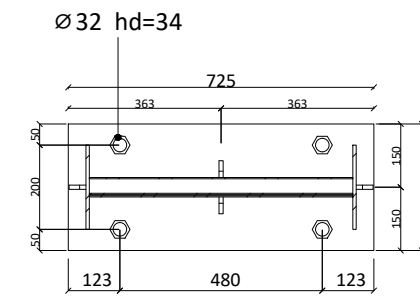
Sin Designer

Date

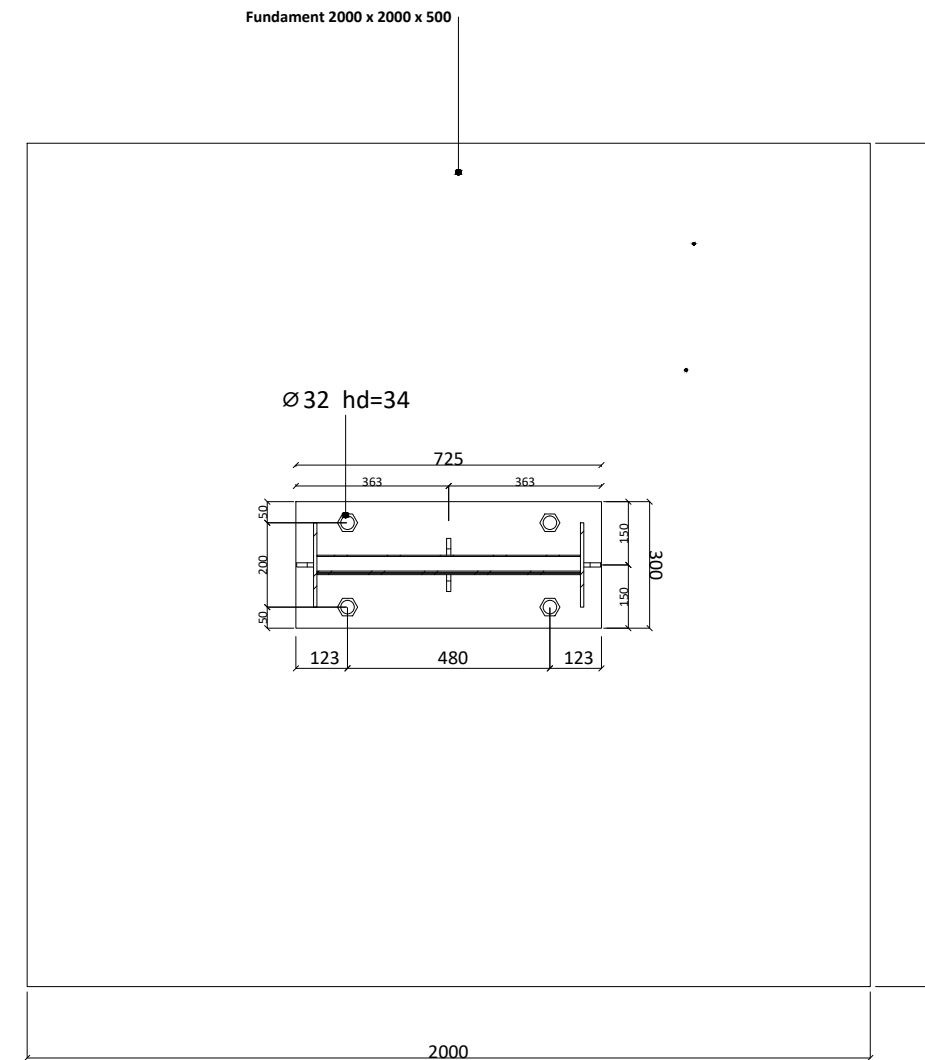
Sheet No.



Detail P1
(Front view)



BP1



Detail P1
(Top view)



Supervisor Signature

Designer Signature

Mechanical Designer Signature

Electrical Designer Signature

Contractor

Sheet Name

Project Name

Purlin detail

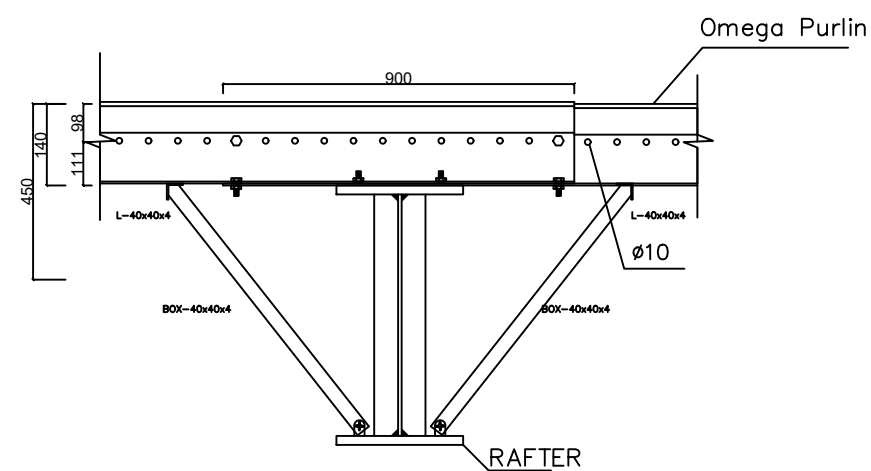
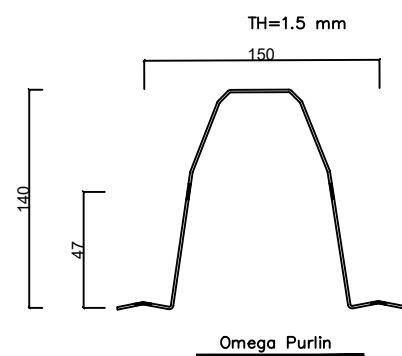
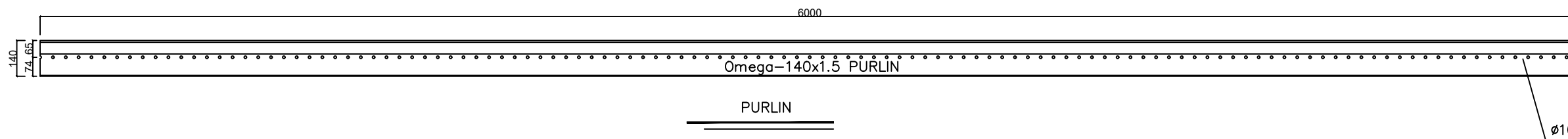
Project Location

Designed by

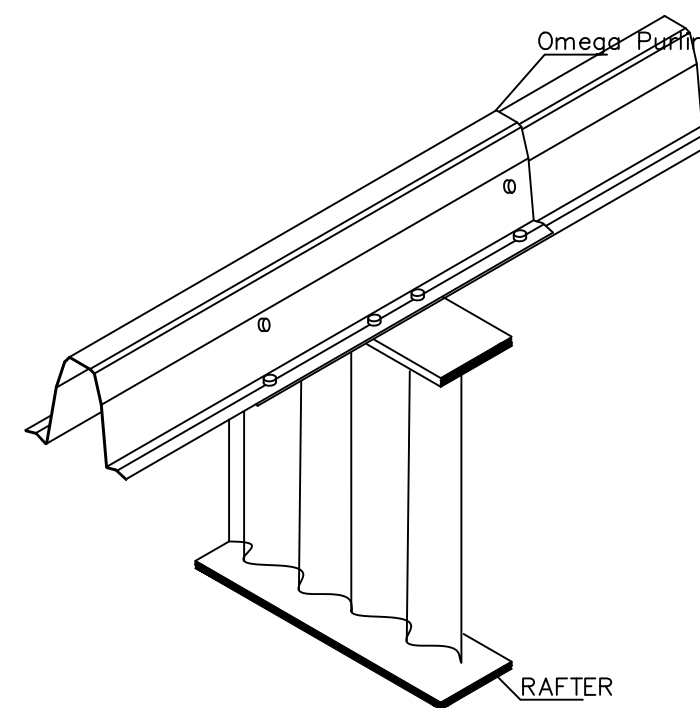
Sin Designer

Date

Sheet No.



PURLIN CONNECTION DETAIL



Purlin SUPPORT
SCALE : N.T.S